

## Fig. 0635 Installation Instructions

### Special Application "In-Hose" Inlet Check Valve (ICV)

**PLEASE READ ALL INSTRUCTIONS BEFORE PROCEEDING**

These check valves have been designed for use with plastic or metal tanks. The Inlet Check valve is designed to reduce or eliminate a reverse flow of fuel (wellback and spitback) from the fuel tank to the fuel fill via the fill hose.

Cat. Nos. 0635000 and 0635DP0 can only be used with standard 1½" fill hose and a maximum refueling rate of 18 gallons per minute.

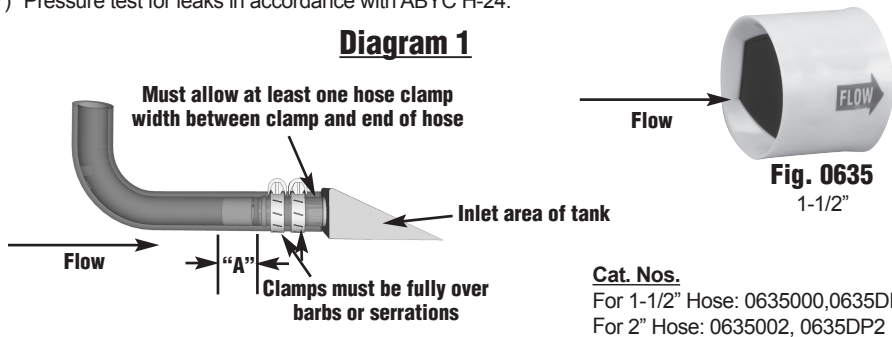
Cat. Nos. 0635002 and 0635DP2 can only be used with standard 2" fill hose and a maximum refueling rate of 18 gallons per minute.

Installation should be done by a qualified marine mechanic.

To install:

- 1) Make sure there will be at least 2" of straight hose section for the ICV. (See dimension "A" in Diagram 1).
- 2) Prior to removing hose, mark the position of the end of the hose on the fuel tank hose barb.
- 3) Loosen hose clamps and disconnect the fill hose from the tank.
- 4) Insert the valve into the fill hose (small diameter end first) until at least ½" of fill hose extends beyond the valve.
- 5) Re-attach fill hose by pushing onto the tank nipple until the hose reaches the original marked position.
- 6) Tighten using hose clamps in accordance with ABYC Fuel System Vent Hose Clamping Standards.
- 7) Pressure test for leaks in accordance with ABYC H-24.

**Diagram 1**



**Cat. Nos.**  
For 1-1/2" Hose: 0635000, 0635DP0  
For 2" Hose: 0635002, 0635DP2

## Fig. 0553 Installation Instructions

### Special Application "In-Hose" Surge Protector

**PLEASE READ ALL INSTRUCTIONS BEFORE PROCEEDING**

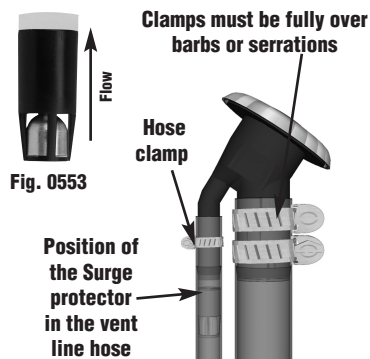
This surge protector has been designed for use with plastic or metal tanks. The surge protector is designed to reduce or eliminate a reverse flow of fuel (wellback and spitback) from the fuel tank to the fuel fill via the vent line. It can only be used with standard 5/8" fill hose vent line and a maximum refueling rate of 18 gallons per minute.

Installation should be done by a qualified marine mechanic.

To install:

- 1) The surge protector must be positioned within 30 degrees of true vertical.
- 2) Prior to removing hose, mark the position of the end of the hose on the fill hose vent line barb.
- 3) Loosen hose clamps and disconnect the vent line hose from the fill vent line barb.
- 4) Insert the valve into the 5/8" hose (back end first) until at least ½" of fill hose extends beyond the valve.
- 5) Re-attach vent line hose by pushing onto the vent line nipple until the hose reaches the original marked position.
- 6) Tighten, using hose clamps in accordance with ABYC Fuel System Vent Hose Clamping Standards.
- 7) Pressure test for leaks in accordance with ABYC H-24.

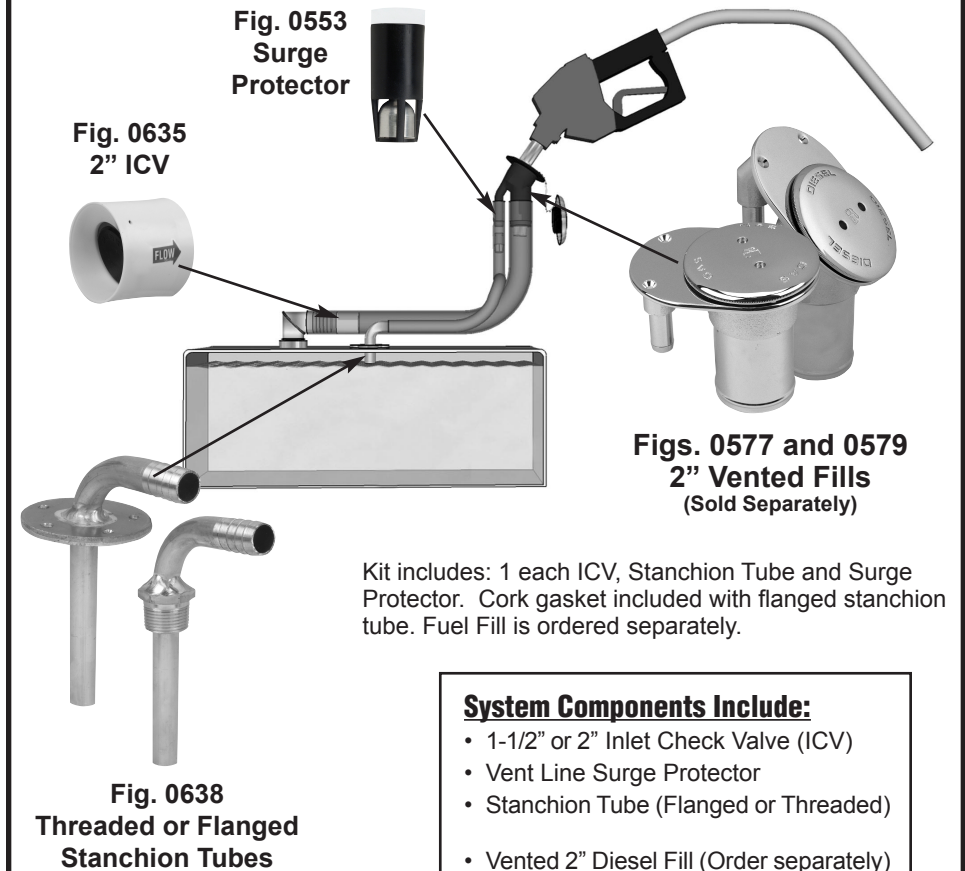
**Diagram 2**



# PERKO®

## Fig. 0639 - Diesel Shut Off System Installation Instructions

Helps reduce wellback and spitback in diesel fuel systems



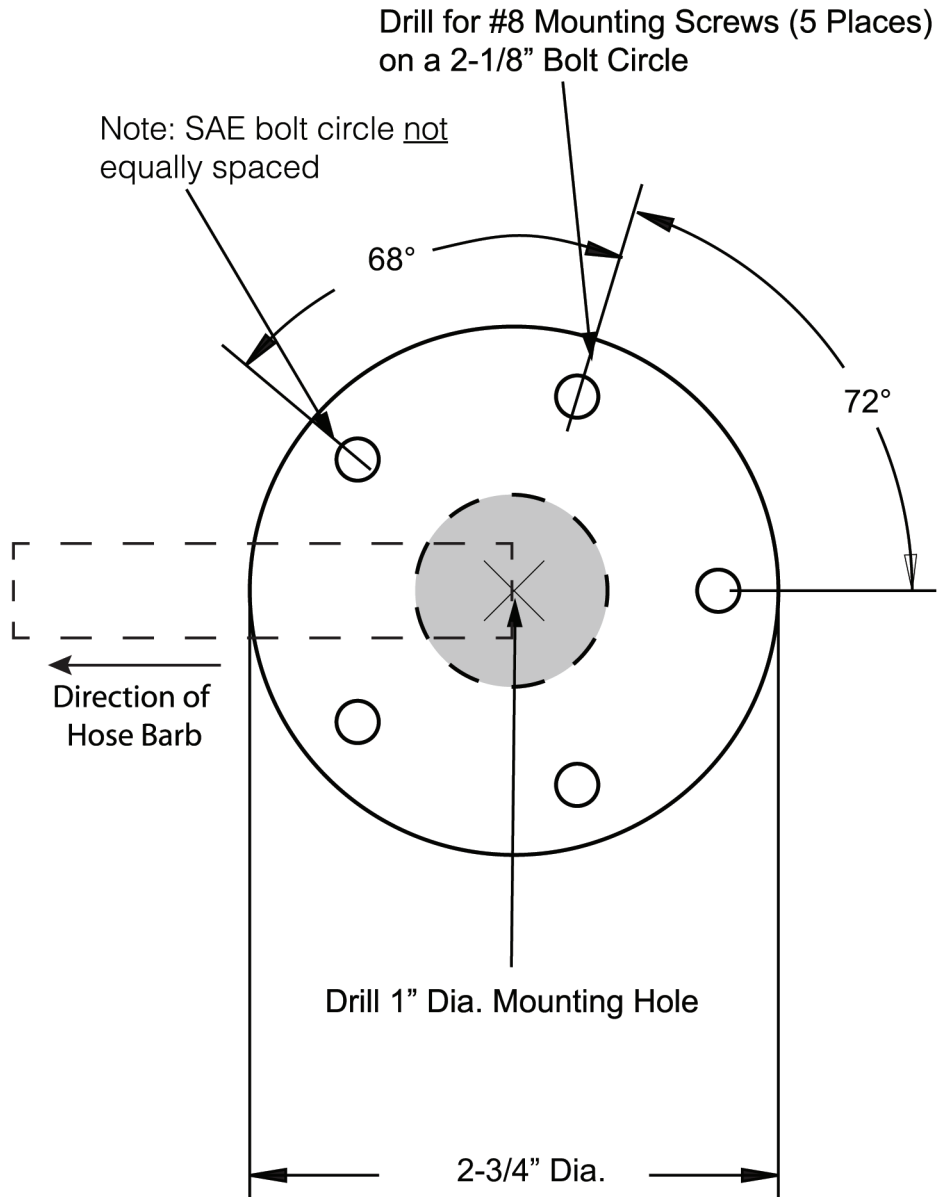
Kit includes: 1 each ICV, Stanchion Tube and Surge Protector. Cork gasket included with flanged stanchion tube. Fuel Fill is ordered separately.

### System Components Include:

- 1-1/2" or 2" Inlet Check Valve (ICV)
- Vent Line Surge Protector
- Stanchion Tube (Flanged or Threaded)
- Vented 2" Diesel Fill (Order separately)

**Note:** These fittings may also be used on fuel tanks in conjunction with other components, such as vent valves, canisters, air/fuel separators, fuel demand valves and pressure relief valves to comply with the CARB and EPA standards and meet the requirements of U.S.C.G. Safety Standards (July 31, 2011) for 40 CFR Parts 9, 60, 80 et al. (Control of Diurnal Emissions From Nonroad Spark-Ignition Engines and Equipment). Contact a marine fuel system specialist for more details.

**Mounting Template for  
Fig. 0638F SAE Flanged Stanchion Tube**



**PERKO® Installation Instructions for  
Fig. 0638F SAE Flanged Stanchion Tube**

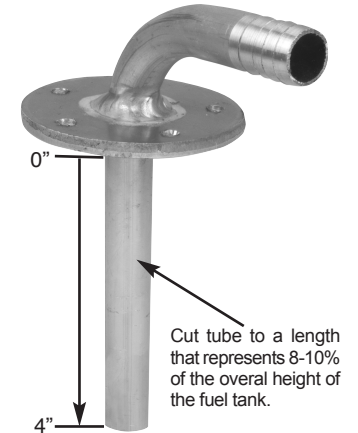
**INSTALLATION INSTRUCTIONS**

**PLEASE READ ALL INSTRUCTIONS BEFORE PROCEEDING**

This stanchion tube is designed to mount on aluminum or plastic tank surfaces.

1. For typical ullage: before installing the stanchion tube, the tube should be cut to a length that represents 8-10% of the overall height of the fuel tank.
2. Select your mounting location. Cut out mounting template.
3. Attach the template to the mounting surface. Orient hose barb in the direction of the vent line
4. Drill 1" diameter hole for the stanchion tube.
5. For metal tanks: mark and drill mounting screw holes for #8 mounting self tapping screws. Place the gasket onto the mounting surface.  
For plastic tanks: the #8 mounting screw nuts must be molded into the tank surface.
6. Attach 5/8" vent hose onto hose barb and tighten using a hose clamp in accordance with ABYC Fuel System Vent Hose Clamping Standards (H24 Table 3).
7. Pressure test for leaks.

Fig. 0638F



**Installation Instructions for  
Fig. 0638T NPTF Dry Seal Threaded Stanchion Tube  
for use on Plastic or Metal Tanks**

**INSTALLATION INSTRUCTIONS**

**PLEASE READ ALL INSTRUCTIONS BEFORE PROCEEDING**

This stanchion tube is designed to mount into 3/4" NPTF dry seal aluminum threaded receivers welded or installed onto plastic or metal tanks. (receiver not supplied).

1. For typical ullage: before installing the stanchion tube, the tube should be cut to a length that represents 8-10% of the overall height of the fuel tank.
2. For plastic tanks a 3/4" NPTF receiver must be molded into the tank surface.  
For metal tanks a 3/4" NPTF receiver must be welded into the tank surface.
3. Thread the stanchion tube into receiver and orient hose barb in the direction of the vent line. Do not use the hose barb as a lever to tighten valve.
4. Attach 5/8" vent hose(s) onto hose barb(s) and tighten using hose clamps in accordance with ABYC Fuel System Vent Hose Clamping Standards (H24 Table 3).
5. Pressure test for leaks.

Fig. 0638T

